

INSTRUCTION MANUAL [EN]

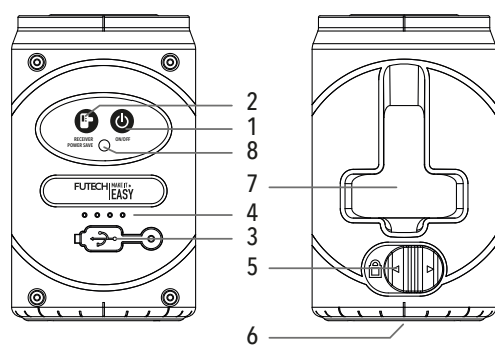
LL4200 – LINE LASER RED

LL4205 – LINE LASER GREEN

LL5505 – LINE LASER GREEN

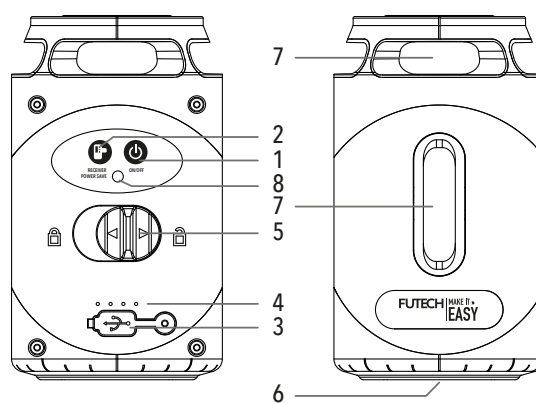
OVERVIEW

LL4200 - LL4205



1. On/off button – Laser line chooser
2. Energy safe - Receiver button (pulse)
3. USB-C charging connector
4. Battery indicator

LL5505



5. Lock switch – On/off switch
6. 1/4" screw (to use with a tripod)
7. Laser exit
8. LED indicator light

OPERATING

Keep the LOCK switch [5] always in lock position (left) during transport or storage.

1. SELF-LEVELLING MODE

Slide the lock switch [5] to the unlock position (right). Both laser lines, horizontal and vertical, will light up. The pendulum will be released and the laser will self-level. The LED indicator light [8] is green.

If the LED indicator light [8] is red and the laser lines flashes, this means the laser line is not levelled because the position of the laser is out of the levelling range, which is about 4°. Put the laser on a much flatter place within the 4° levelling range to have a levelled laser line. The LED indicator light [8] will be green again when the laser is back in his levelling range.

Press the On/off button – Laser line chooser [1] shortly gives you the possibility to turn on or off the horizontal or vertical line.

- Press one time: Horizontal line will turn off. Only vertical line is visible.
- Press second time: Vertical line turns off, horizontal line turns on again.
- Press a third time: Both laser lines will be on.

To turn off the laser device, slide the lock switch [5] to the lock position (left). All laser lines will be switched off and the pendulum will be blocked.

2. LOCKED MODE (SLOPE)

With the lock switch [5] in locked position (left), hold the On/off button – Laser line chooser [1] 2 seconds until both laser lines, horizontal and vertical light up. The LED indicator light [8] is red and the laser lines will flash shortly every 5 seconds to alert you the laser line is not levelled! In this case you can use the laser to set a sloped line. You can tilt the laser level arbitrarily in every direction.

Press the On/off button – Laser line chooser [1] shortly gives you the possibility to turn on or off the horizontal or vertical line.

- Press one time: Horizontal line will turn off. Only vertical line is visible.
- Press second time: Vertical line turns off, horizontal line turns on again.
- Press a third time: Both laser lines will be on.

To turn off the laser device, hold the On/off button – Laser line chooser [1] for about 2 seconds until all laser lines will be switched off.

3. ENERGY SAFE MODE

In both modes, self-levelling and locked mode, press the Energy safe - Receiver button [2] shotly to adjust the brightness of the laser lines. The brightness is divided into 4 levels and the key cycle.

4. RECEIVER MODE (PULSE)

Only in self-levelling mode, hold the Energy safe - Receiver button [2] for about 2 seconds. The receiver mode is turned on. This means the laser lines can now be detected by a laser receiver.

Hold the Energy safe - Receiver button [2] again for about 2 seconds to turn off the receiver mode.

In this mode, energy saving mode is invalid.

5. BATTERY

This laser device uses an internal Li-ion battery (see specifications) that can be charged using the USB-C power connector.

The battery indicator [4] shows 4 green LED lights when complete charged. The less lights visible, the less power lasts in the battery.

When only one LED light flashed, the power of the device is very weak and it should be charged any time.

MAINTENANCE

The laser tool is sealed and calibrated at the plant to the accuracy specified. It is recommended to carry out a accuracy check before its first use and periodic checks during future use especially for precise layouts. Do not store the laser tool in direct sunlight or expose it to high temperatures. The housing and some internal parts are made of plastics and may become deformed at high temperatures. Exterior plastic parts may be cleaned with a damp cloth. Although these parts are solvent resistant, never use solvents. Use a soft, dry cloth to remove moisture from the tool before storage. Do not dispose this product with household waste.

SAFETY & WARRANTY

Read the complete safety and warranty instructions provided together with the device before using.

While the product is in operation, be careful not to expose your eyes to the emitting laser beam.

Do not disassemble the laser tool. There are no user serviceable parts inside.

Do not modify the laser in any way. Modifying the tool may result in hazardous Laser Radiation Exposure.

SPECIFICATIONS

	LL4200	LL4205	LL5505
Number of horizontal lines	1x 100°		1x 360°
Number of vertical lines	1x 100°		
Levelling accuracy	+/- 3mm/10m		
Levelling	Pendulum levelling		
Levelling range	4°, ±1°		
Working range	±15m	±30m	
Operating time	Up to 12h. (100%) Up to 24h. (25%)	Up to 3h. (100%) Up to 6h. (25%)	Up to 5h. (100%) Up to 10h. (25%)
Slope function	Manual (pendulum lock)		
Battery	3.7V, 1000mAh Li-ion		3.7V, 2000mAh Li-ion
IP-rating	IP54		
Operating temperature	-10°C ~ +50°C		
Storage temperature	-20°C ~ +70°C		
Lasertype	630-670nm (red) Class 2, <1mW	505-550nm (green) Class 2, <1mW	